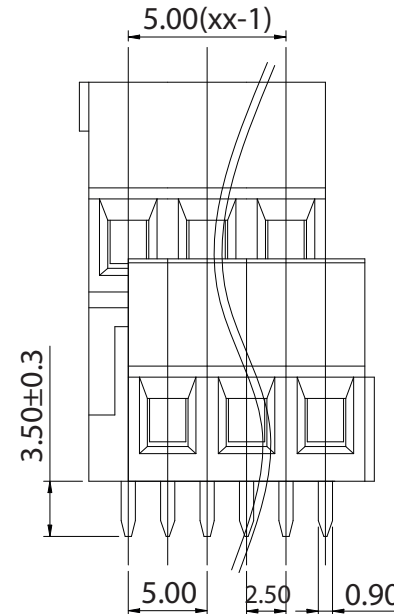
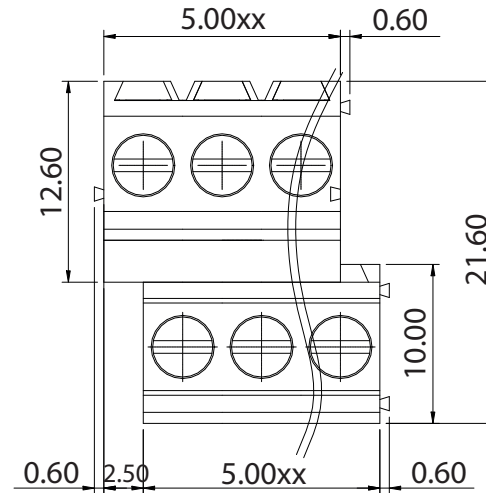
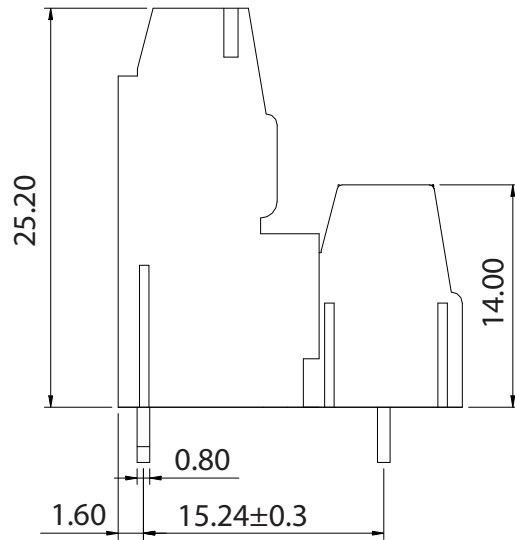


p.c.b. layout



Approvals



15A-300V

Electrical

Rated voltage	250V
Rated current	24A
Contact resistance	20mΩ
Insulation resistance	500MΩ/DC500V
Withstanding voltage	AC 2000V/1 min
Wire range	30-14 AWG 2,5 mm ²
Torque	0,4Nm(3.6 Lb in)
Temp. Range	-40°C + 105°C
Stripping length	6 mm
Max sold. time	+250°C for 5 sec

Dimensions

Pitch	5.08 mm
Poles	2+2 ÷ 24+24

Material

Housing	PA66 UL94V0
Pin	Copper Alloy, Sn plated
Cage	Copper Alloy, Ni plated
Screws	M2,5 Steel, Zn plated
Side Block	
Nut screw	
Clamp	

General description of ordering code

Series	n. Poles	Pitch	Version	Color	Custom
MRD52	2÷24	-5	-L		

Version Date

01/21 23/11/2021



euro-block



UNITS: mm

SHEET SIZE: ISO A4

SCALE: 10:1

> 0 ~ 3

> 3 ~ 18

> 18 ~ 50

> 50 ~ 120

± 0.12

± 0.15

± 0.3

± 0.5



First angle projection

MRD52-5-L